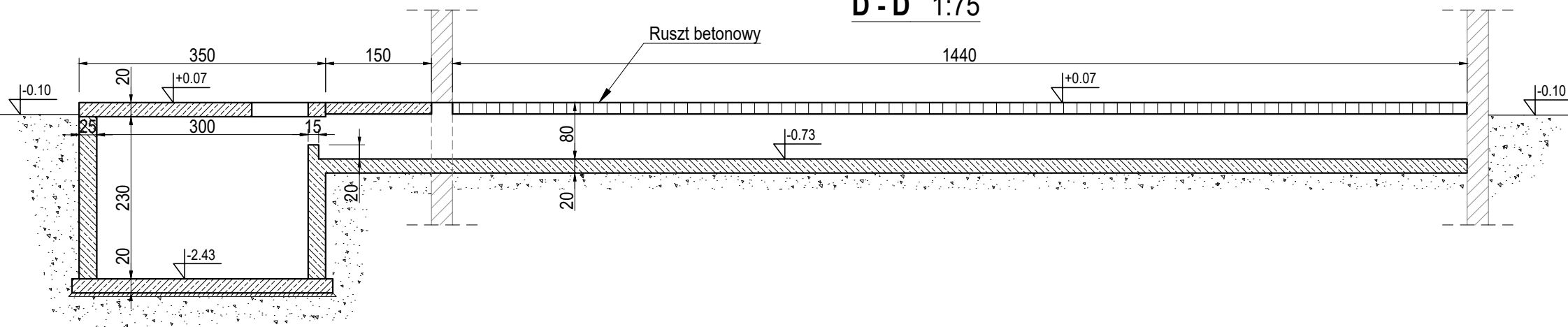


This document may constitute a contractual obligation on the part of DeLaval International AB only to the extent expressly agreed upon.

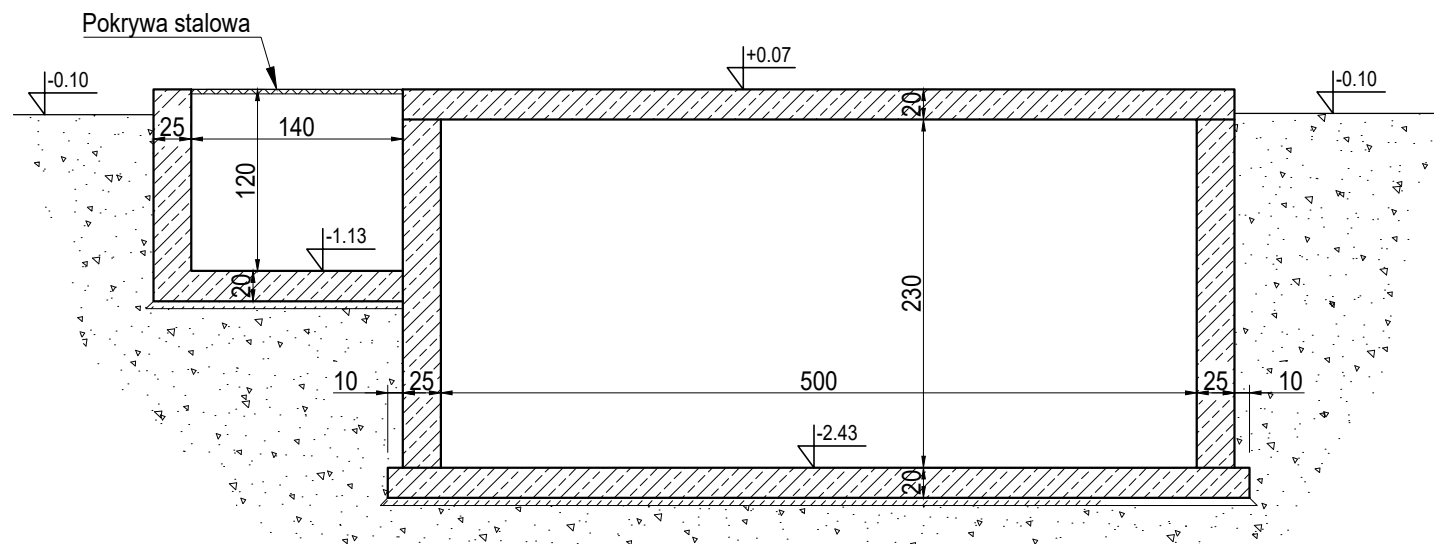
This drawing is not intended to be used for construction purposes. It is intended only to show the general placement and layout of DeLaval equipment. The dimensions shown are estimates only. The building contractor and equipment installer must independently verify all applicable dimensions. See the installation instructions.

This document and its content are the exclusive property of DeLaval International AB and may not be copied, reproduced, transmitted or communicated to a third party, nor used for any purpose without written permission.

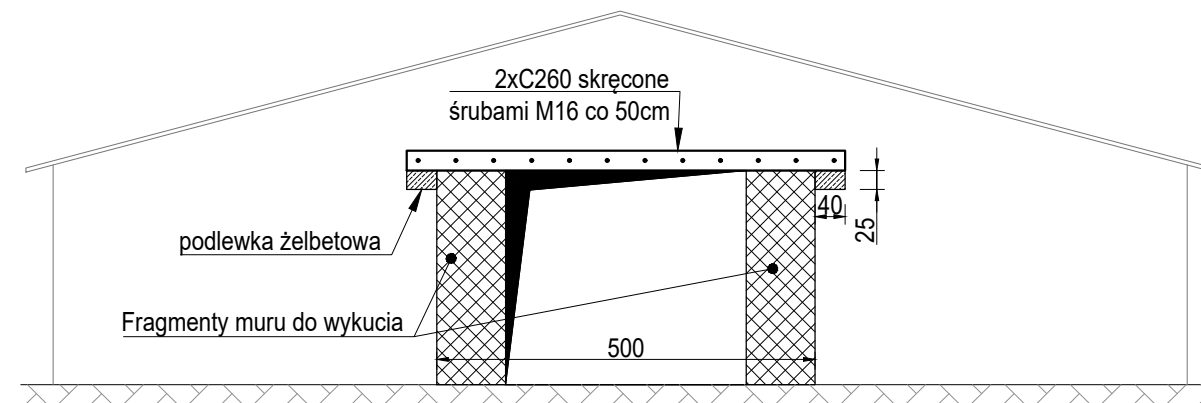
**D - D 1:75**



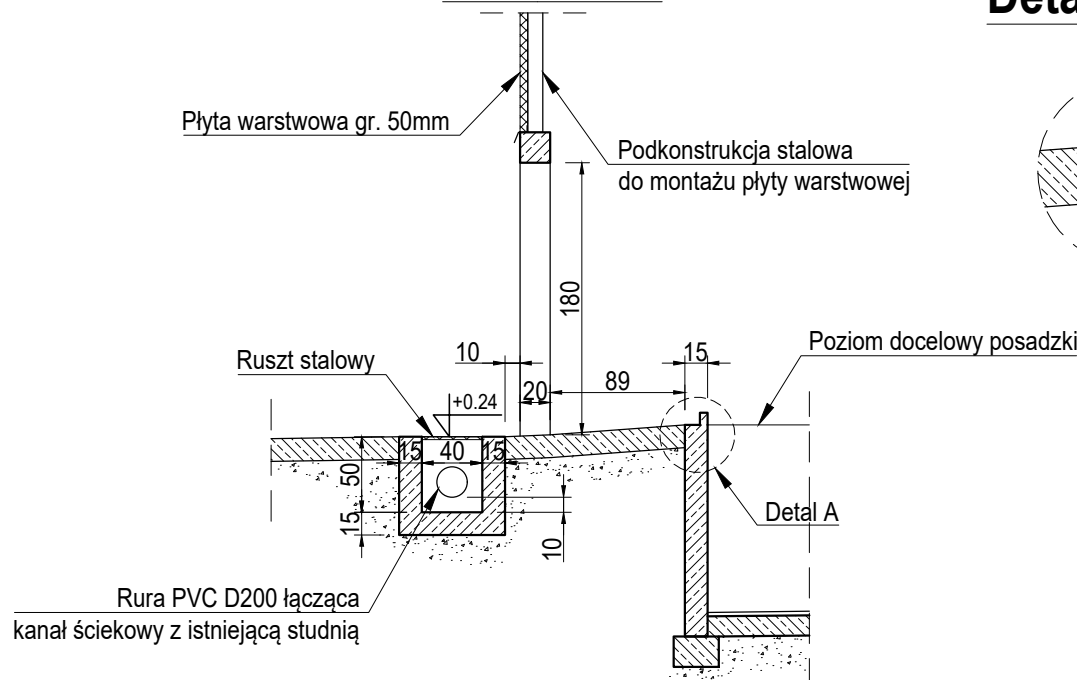
**E - E 1:50**



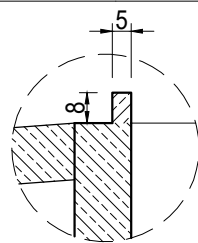
**Detal B 1:100**  
**Powiększenie otworu w poczekalni**



**F - F 1:50**



**Detal A 1:20**



**\*) UWAGI:**

1. Rzędna ±0.00 odnosi się do istniejącego poziomu wejścia do poczekalni.
2. Wymiary rzutu w cm.
3. Wymiary zweryfikować na miejscu.

REV	CHANGE CONCERNING	DATE	INIT
B	Second Issue	2026.01.15	LS
A	First Issue	2025.12.15	LS

DeLaval International AB PO Box 39 S-147 21 Tumba, SWEDEN TEL +46 8 530 660 00 FAX +46 8 530 689 00				DATE 2025-12-15
P300 2x20 Przekroje. Detale Leka Wielka		APPROVED/DEPT -		SCALE 1:100 / 1:75 / 1:50 A3
DRAWN/DEPT. LS/LCPD	CHECKED/DEPT. -	PROJECT NO./DRAWING NO. LS25024 / SI-PL-04	REV B	